

S2

SMALL PUMP FOR OUTSTANDING RESULTS!

NEW

CLASSIC LINE
2 YEARS OF WARRANTY



- ➔ Pump designed for small pools and/or above ground pools
- ➔ Exceptional performance, one of the best in its category
- ➔ 1.1 Litre pre-filter basket
- ➔ Ideal for small pools and above-ground pools up to 68 m³



Easy access to the pre-filter through the quarter turn cover



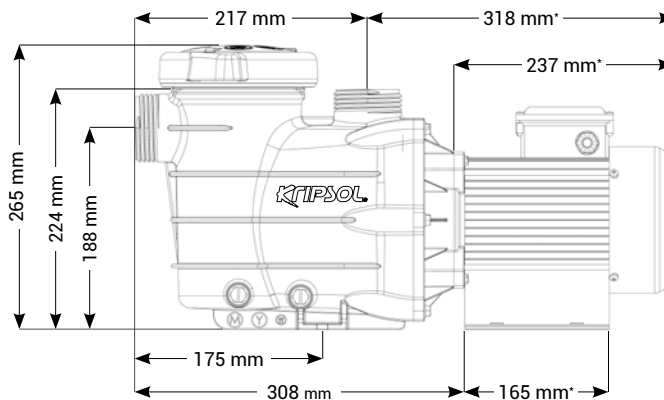
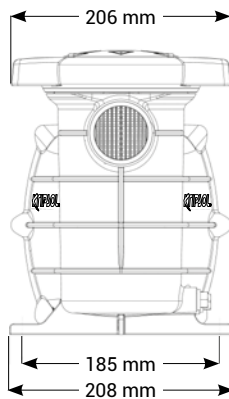
Drainage caps to make wintering easier



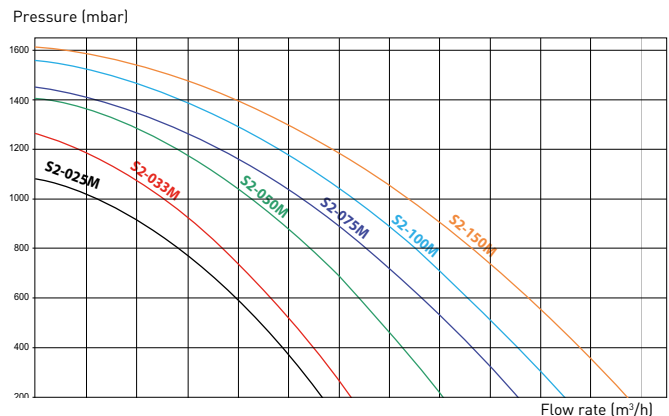
50 mm outlet or ø 32/38 mm fluted adapters

	Code	Ref.	Type	Output Power P2 (W)	Input Power P1 (W)	Length (mm)	Amperage (A)	Flow rate (m ³ /h)*	Weight (kg)	I/O (mm)
SINGLE PHASE	012702510150	S2-025M	0.25 HP	300	440	504	1.92	5.4	7.68	50 and 32/38
	012703310150	S2-033M	0.33 HP	320	530	504	2.32	7.3	7.76	
	012705010150	S2-050M	0.5 HP	560	810	504	3.51	10.8	8.65	
	012707510150	S2-075M	3/4 HP	610	860	504	3.76	13	9.16	
	012710010150	S2-100M	1 HP	730	1000	504	4.36	15	9.16	
	012715010150	S2-150M	1.5 HP	900	1200	535	5.32	17.2	11.3	

* under 8 m water column pressure



Technical Specifications	
Max. water temp.	35°C
Adapter	32/38 mm
Mechanical seal	AISI 304, suitable for salt water
Motor specifications	Class F, IP55, 50Hz, 2 Poles
Housing/impeller/strainer/lid	PP+GF/Noryl® + GF/ABS/PC



KRIPSOL